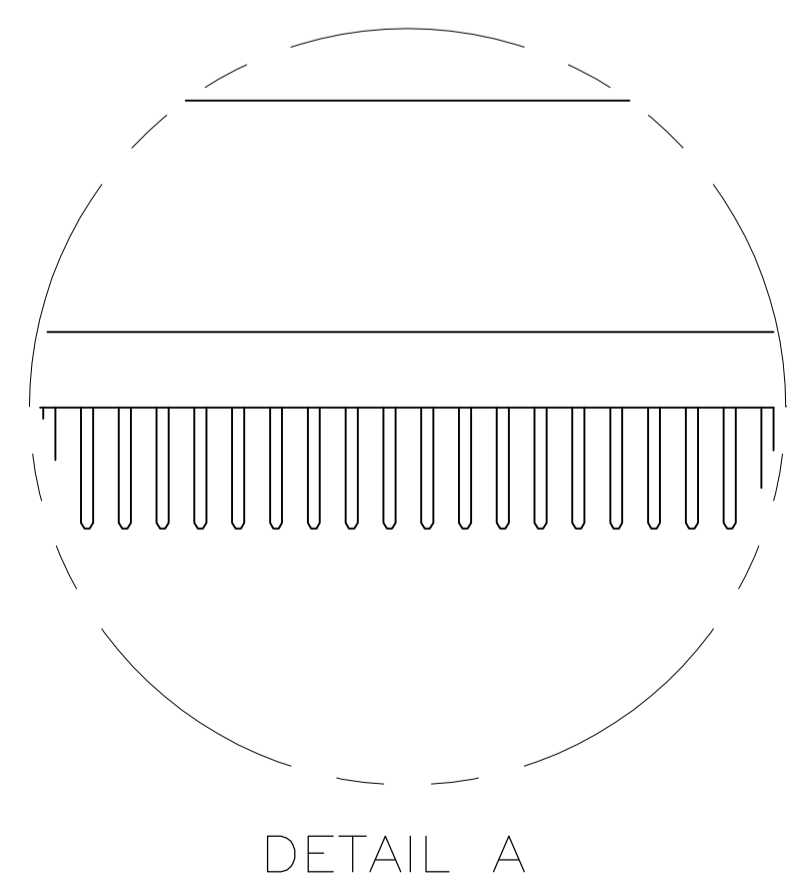
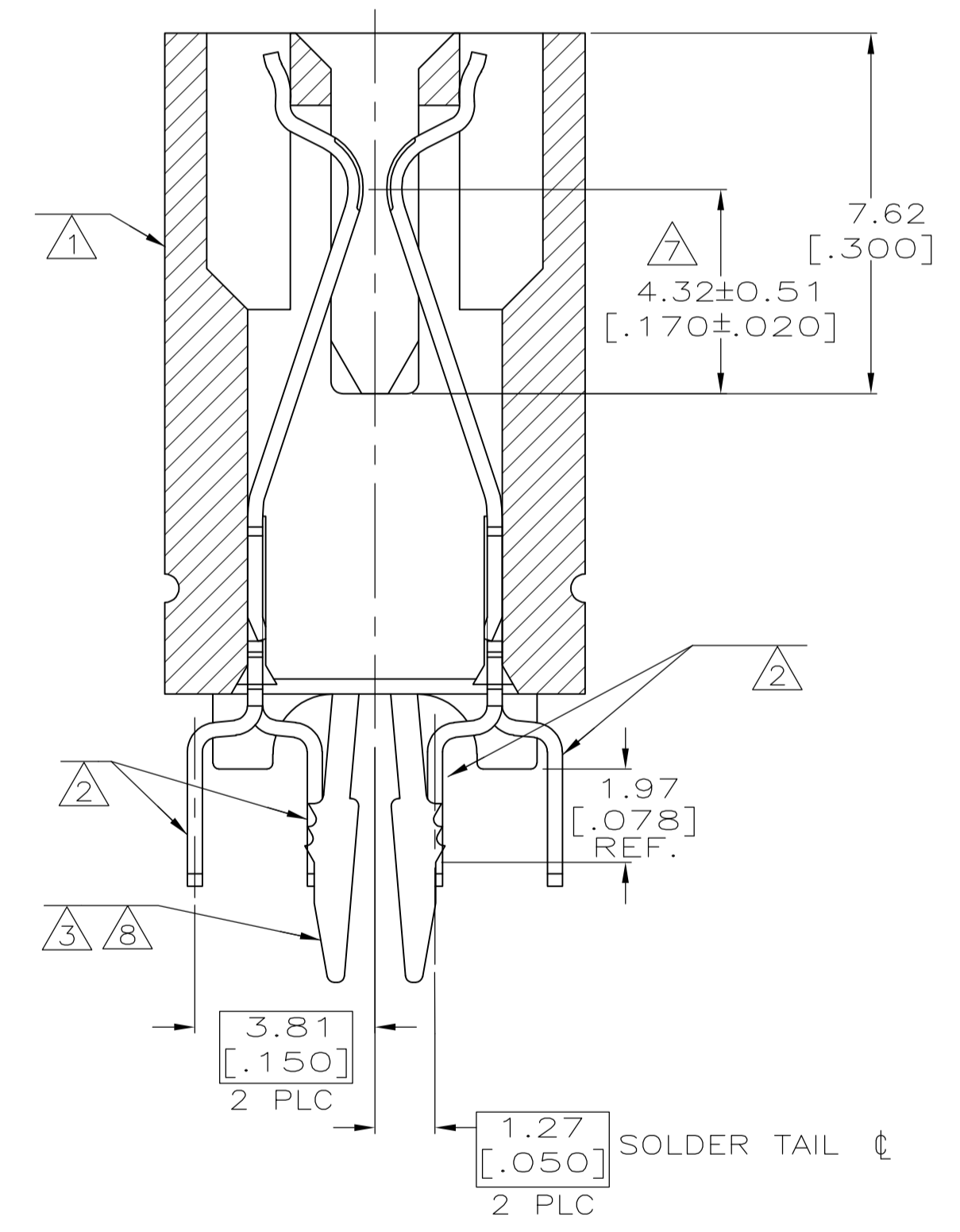


SEE SHEET 2 FOR HOLE PATTERN



DETAIL A

- ① HOUSING: HIGH TEMPERATURE THERMOPLASTIC. COLOR - NATURAL
- ② CONTACT: PHOSPHOR BRONZE.
- ③ METAL HOLD DOWN: BRASS
- ④ CONTACT FINISH: .001269[.000050] MIN NICKEL ALL OVER. GOLD FLASH OVER NICKEL IN CONTACT AREA. .002537[.000100] MIN MATTE TIN OVER NICKEL ON SOLDER TAILS.
- ⑤ CONTACT FINISH: .001269[.000050] MIN NICKEL ALL OVER. .000375[.000015] GOLD OVER NICKEL IN CONTACT AREA. .002537[.000100] MIN MATTE TIN OVER NICKEL ON SOLDER TAILS.
- ⑥ CONTACT FINISH: .001269[.000050] MIN NICKEL ALL OVER. .000757[.000030] GOLD OVER NICKEL IN CONTACT AREA. .002537[.000100] MIN MATTE TIN OVER NICKEL ON SOLDER TAILS.
- ⑦ DISTANCE FROM CONTACT POINT TO BOTTOM OF CARD SLOT.
- ⑧ METAL HOLD DOWN FINISH: .001269[.000050] MIN NICKEL ALL OVER. .003809[.000150] MIN MATTE TIN ALL OVER.
- ⑨ AMP PART NUMBER, DATE CODE AND CSA LOGO MARKED IN APPROXIMATE LOCATION SHOWN.
- ⑩ CORED OR SOLID SIDE WALLS ARE AT DISCRETION OF AMP INCORPORATED.
- ⑪ OBSOLETE PARTS: OBSOLETE CIS STREAMLINING PER D.RENAUD/D.SINISI



SECTION L-L SCALE 8:1

| | | | |
|------------|-------------|---|-------------|
| OBSOLETE | 4.70 [.185] | ① | 1-5145167-3 |
| | 3.56 [.140] | ① | 1-5145167-2 |
| | 3.18 [.125] | ① | 5145167-8 |
| | 2.54 [.100] | ① | 5145167-4 |
| OBSOLETE | 2.54 [.100] | ① | 5145167-3 |
| ① OBSOLETE | 2.54 [.100] | ① | 5145167-2 |
| ① OBSOLETE | 2.54 [.100] | ① | 5145167-1 |

| W | FINISH | PART NUMBER |
|---|--------|-------------|
|---|--------|-------------|

THIS DRAWING IS A CONTROLLED DOCUMENT.

| | | | | | |
|------------------|--|------------------|------------|------------|---------------|
| DIMENSIONS: | TOLERANCES UNLESS OTHERWISE SPECIFIED: | DRN | AL FRANTUM | 11 APR 05 | |
| mm | 0 PLC ± - | CHK | AL FRANTUM | 11 APR 05 | |
| | 1 PLC ± - | APPV | | | |
| | 2 PLC ± 0.25 [.01] | NAME | | | |
| | 3 PLC ± 0.127 [.005] | PRODUCT SPEC | | | |
| | 4 PLC ± - | 108-14034 | | | |
| | ANGLES ± ± | APPLICATION SPEC | | | |
| MATERIAL | FINISH | SIZE | CAGE CODE | DRAWING NO | RESTRICTED TO |
| ①②③ | ④⑤⑥ | A1 | 00779 | 5145167 | |
| CUSTOMER DRAWING | | SCALE | 4:1 | SHEET | 1 OF 2 |
| | | REV | D2 | | |

STE TE Connectivity

CONNECTOR ASSEMBLY, 60 DUAL POSITION, 1.27 [.050] SERIES, STANDARD EDGE

